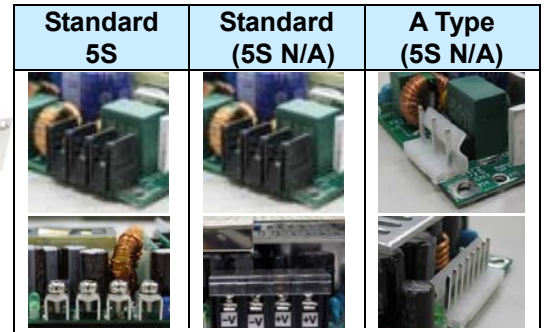


**KEY FEATURES**

- U Bracket Switching Power Supply
- Universal Input: 90-264 VAC
- With P.F.C. Function, PF>0.95
- High Efficiency up to 93%
- RoHS Compliant Design
- Ultra Compact Size: 6.0 x 4.18 x 1.38 Inches
- 3-Year Product Warranty



Please refer to the types of terminal block; the pictures shown are for illustration purpose only, actual product may vary.

**ELECTRICAL SPECIFICATIONS**

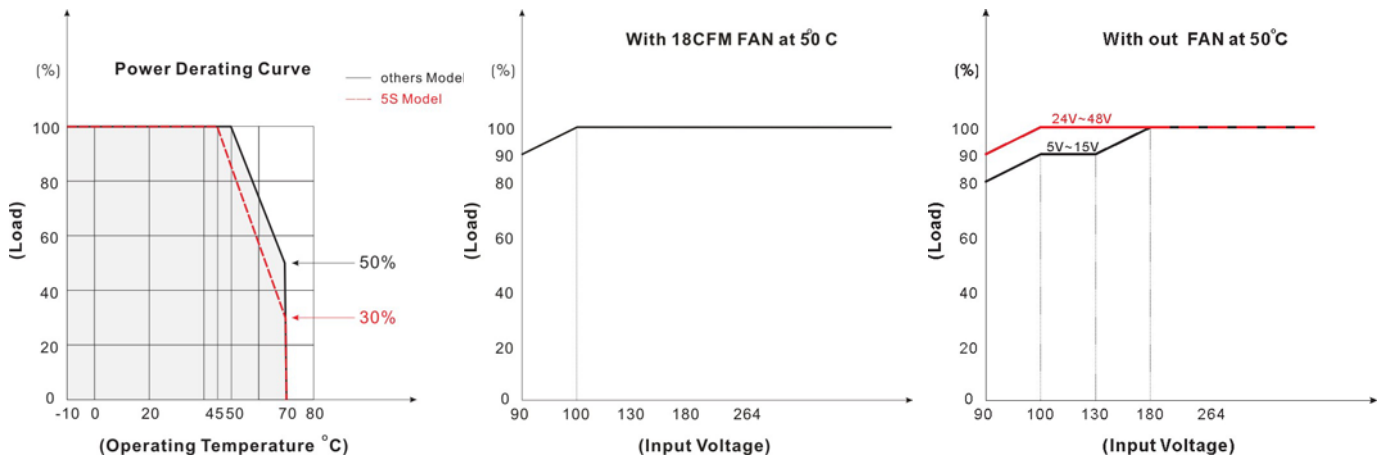

All specifications valid at normal input voltage, full load and +25°C after warm-up time unless otherwise stated.

Model No.	AQF240 U-5S	AQF240 U-12S	AQF240 U-15S	AQF240 U-24S	AQF240 U-28S	AQF240 U-36S	AQF240 U-32S	AQF240 U-48S		
Max Output Wattage (W)	180W	240W								
Input	Voltage (Note 3)	90-264 VAC or 120-370 VDC								
	Frequency (Hz)	47-63 Hz								
	Current (Full load)	<3.0 A max. (115 VAC) / <1.5 A max. (230 VAC)								
	Inrush Current (<2ms)	< 30 A max. (115 VAC) / < 60 A max. (230 VAC)								
	Leakage Current	< 0.5 mA max.								
	Power Factor	PF>0.98 (115 VAC) / PF>0.95 (230 VAC) at Full Load								
Output	Voltage (V.DC.)	5V	12V	15V	24V	28V	36V	32V	48V	
	Trim	±5% Output Voltage								
	Voltage Accuracy	±2%								
	Current (Convection) (A) max	36	20	16	10	8.57	6.66	7.5	5	
	Line Regulation	±1%								
	Load Regulation	±1%								
	Minimum Load	5%	2%							
	Maximum Capacitive Load	470-23,000µF depending on model								
	Ripple & Noise (max.)	150mVp-p	120mVp-p	200mVp-p						
	Efficiency (at 230VAC)	87%	90%	90%	92%	92%	92%	92%	93%	
Hold-up Time	10 ms min.									
Protection	Over Power Protection	Auto recovery								
	Over Voltage Protection	Latch Off								
	Short Circuit Protection	Protection level 1 (nominal) : Continuous, Auto recovery Protection level 2 (instantaneous high current) : Latch								
Isolation	Input-Output (V.AC)	4000VAC or 5656VDC								
	Input-FG (V.AC)	2000V								
	Output-FG (V.AC)	500V								
Environment	Operating Temperature	-10°C...+70°C (with derating) (Note 4)								
	Storage Temperature	-25°C...+85°C								
	Temperature Coefficient	±0.03%/°C ( 0~50°C )								
	Humidity	95% RH								
	MTBF	>120,000 h @ 25°C (MIL-HDBK-217F)								
Vibration	10~500Hz, 2G 10min./1cycle, 60min. each along X, Y, Z axes.									
Physical	Dimensions (L x W x H)	5S: 6.0 x 4.18 x 1.46 Inches (150.0 x 106.0 x 37.0 mm ) Tolerance ±0.5 mm Others: 6.0 x 4.18 x 1.38 Inches (150.0 x 106.0 x 35.0 mm ) Tolerance ±0.5 mm								
	Weight	580 g								
	Cooling Method	Free convection or 18CFM								
Safety	Agency Approvals	IEC / EN 60950(5S,15S, 28S, 36S N/A ), UL/ IEC / EN 62368-1(5S,15S, 28S, 36S N/A)								
EMC	EMI (Conducted & Radiated Emission)	EN 55032 class B								
	EMS (Noise Immunity)	EN 55024								

## NOTE

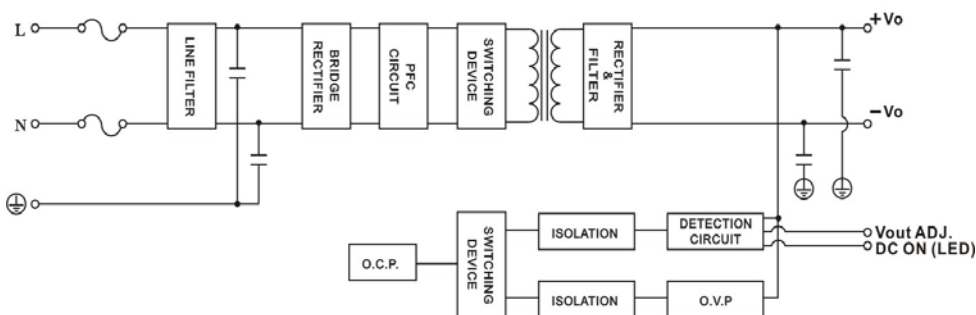
1. Ripple & Noise are measured at 20MHz of bandwidth with 0.1uF & 47uF parallel capacitor.
2. Strongly recommend to conduct this test with DC Voltage. If customer wishes to test with AC Voltage, please disconnect all Y-Capacitors from Arch power supply.
3. Derating may be needed under low input voltages. Please check the derating curve for more details.
4. Due to varying customer application conditions, the product is tested for maximum operating temperature under full load only. For other regulatory requirements, please contact ARCH.
5. CAUTION: Double pole, neutral fusing. Disconnect mains before servicing.  
(ATTENTION : 2 poles avec fusible sur le neutre. Deconnecter le secteur avant intervention.)

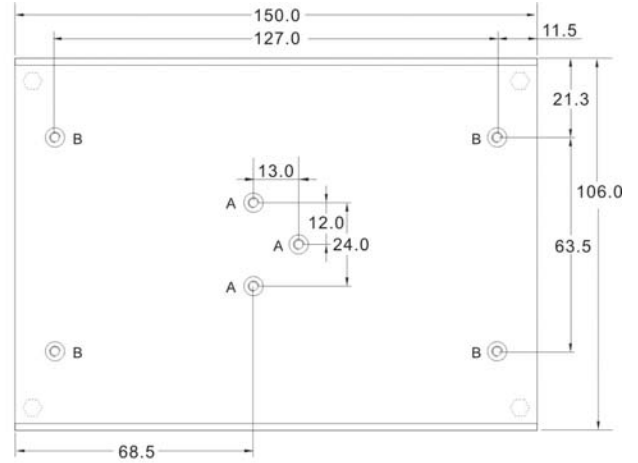
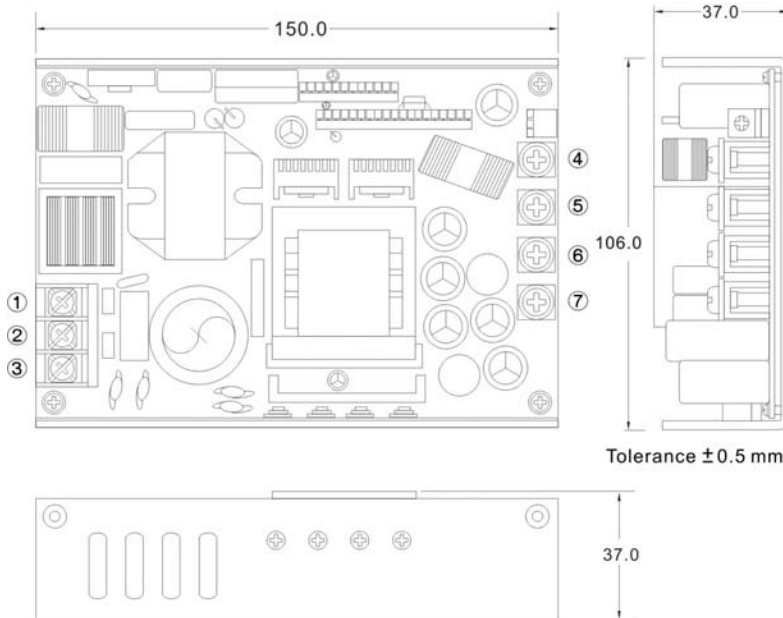
## DERATING



## BLOCK DIAGRAM

Single Output



**MECHANICAL DIMENSIONS ( Top View )**
**Standard (5S)**


A= For fixture to chassis only

A=M3x0.5P

B=For fixture to pcb/chassis only

B=M3x0.5P

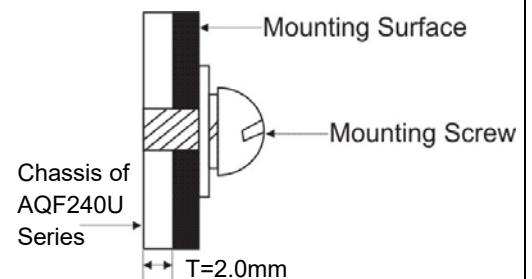
Torque:3±0.5 Kgf.cm

Brands		Terminal
PIN#	Single	
1	AC IN (L)	ANYTEK DG28S-B-03P
2	AC IN (N)	
3	FG	
4~5	+DC OUT	M5 Pan HD screw in 2 positions Torque to 8 lbs-in(90 cNm) max.
6~7	-DC OUT	

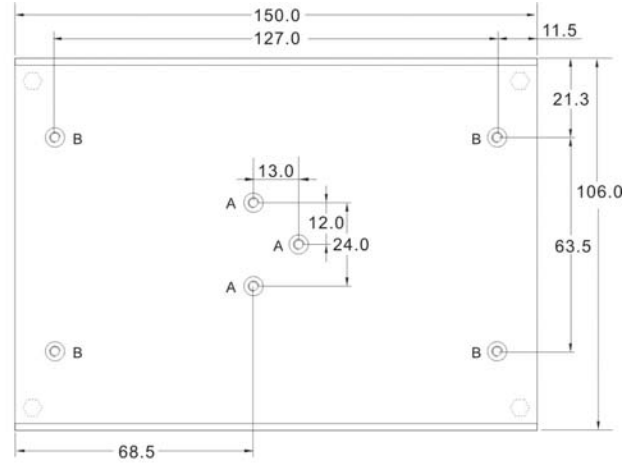
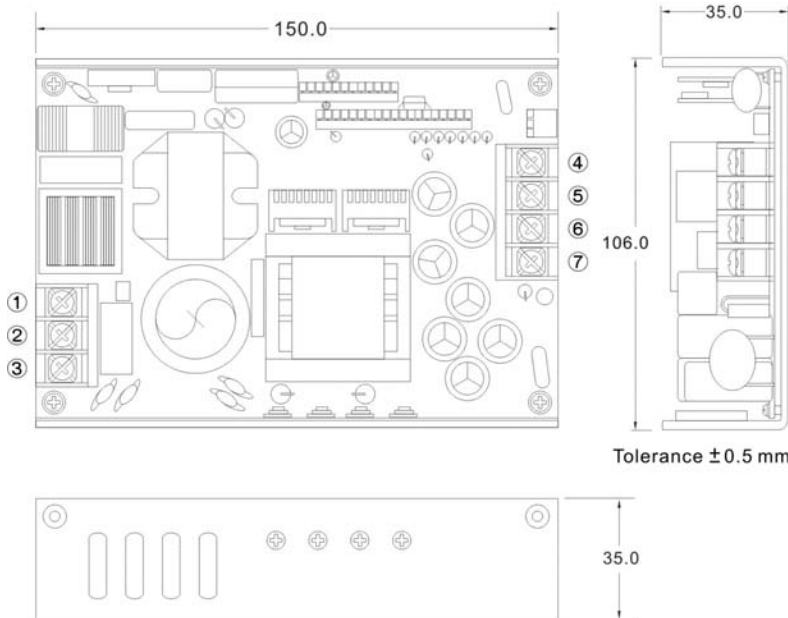
**ASSEMBLY INSTRUCTIONS**

\*U Case T=2.0mm

Customer is advised to screw into the threads no more than 2.0mm


**Standard (5S)**


Please refer to the types of terminal block; the pictures shown are for illustration purpose only, actual product may vary.

**MECHANICAL DIMENSIONS ( Top View )**
**Standard (5S N/A)**


A= For fixture to chassis only

A=M3x0.5P

B=For fixture to pcb/chassis only

B=M3x0.5P

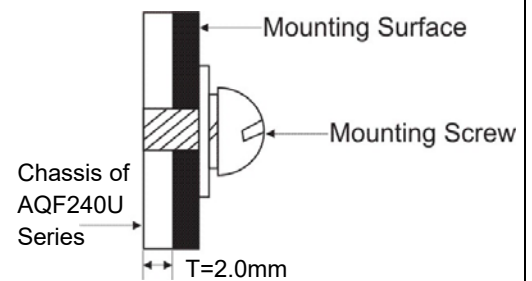
Torque:3±0.5 Kgf.cm

Brands		Terminal
PIN#	Single	
1	AC IN (L)	ANYTEK DG28S-B-03P
2	AC IN (N)	
3	FG	
4~5	+DC OUT	ANYTEK DG28S-B-04P
6~7	-DC OUT	

**ASSEMBLY INSTRUCTIONS**

\*U Case T=2.0mm

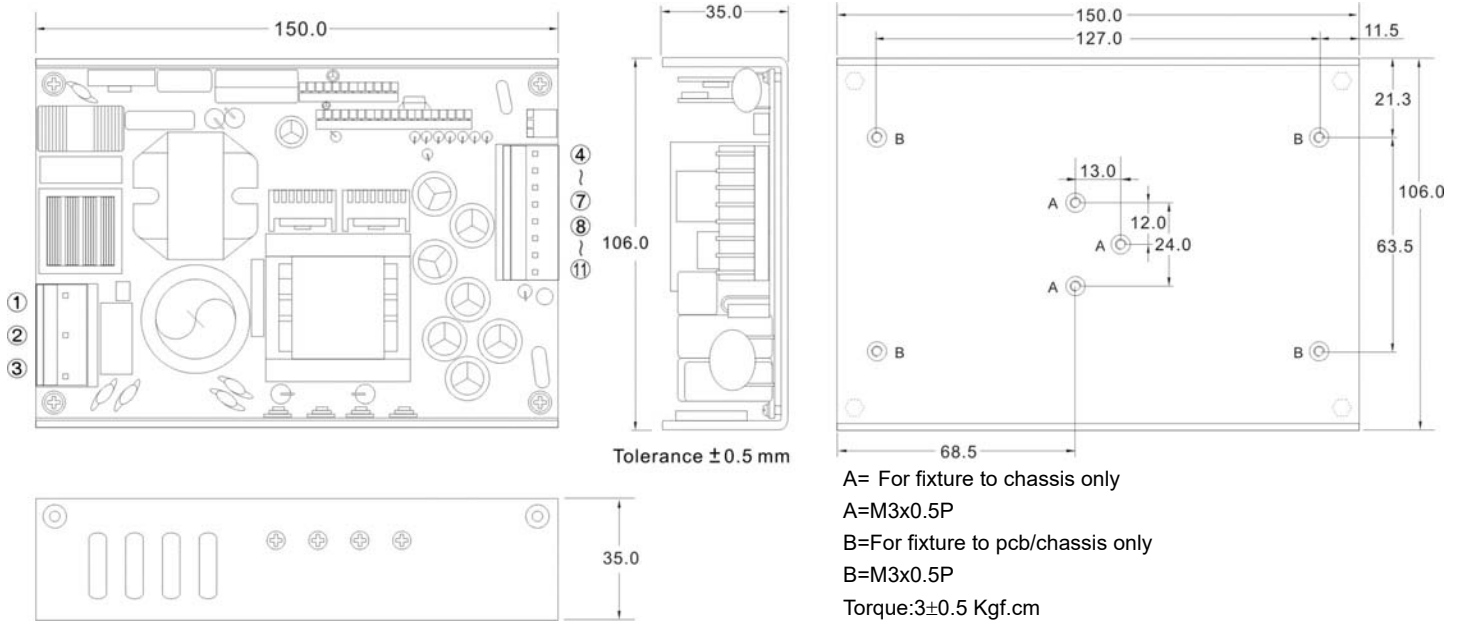
Customer is advised to screw into the threads no more than 2.0mm


**Standard (5S N/A)**


Please refer to the types of terminal block; the pictures shown are for illustration purpose only, actual product may vary.

**MECHANICAL DIMENSIONS ( Top View )**

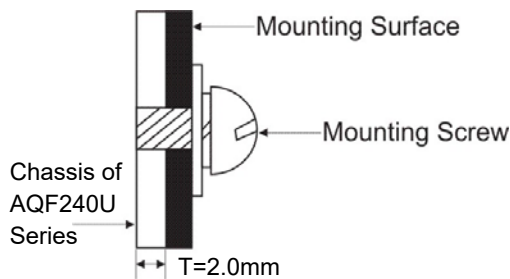
**A Type (5S N/A)**



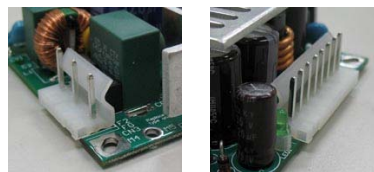
**ASSEMBLY INSTRUCTIONS**

\*U Case T=2.0mm

Customer is advised to screw into the threads no more than 2.0mm



**A Type (5S N/A)**



Please refer to the types of terminal block; the pictures shown are for illustration purpose only, actual product may vary.

Brands		Alex		Molex	
PIN#	Single	Mating Housing	Terminal	Mating Housing	Terminal
1	AC IN (L)	8639-05N2 8095-05N2	23T or 24T series 94T or 95T series	5195-05	5194T
2	AC IN (N)				
3	FG				
4~7	+DC OUT	8639-08N2 8095-08N2	23T or 24T series 94T or 95T series	5195-08	5194T
8~11	-DC OUT				